

www.screen2crush.com

Your online source for:

Screens, Trommels, Jaw Crushers, Cone Crushers, Impact Crushers, HSI & VSI Crushers, Tub Grinders, Horizontal Grinders, Slow Speed Shredders, Radial Stacking Conveyors, Picking/Recycling Stations, Screening/Crushing bucket attachments and Material Washing Systems.

NEW EQUIPMENT BRANDS WE CARRY:

MCCLOSKEY INTERNATIONAL, LIPPMANN-MILWAUKEE, COREX, FLIP SCREEN, EZ SCREEN, TRACK STACK, EMS PICKING STATIONS.

The Extec C-12⁺

PREVIOUSLY OWNED BRANDS IN STOCK:

Allu, Anaconda, Astec, Backhus, Bandit, Boliden Allis, CDE Global Wash Systems, CEC, Cedarapids, Corex, Diamond Z, Doppstadt, EMS, Extec, EZ Screen, Finlay, Fintec, Flip Screen, HogZilla, JCI-KPI, Kee-track, Kolberg, Lippmann, McCloskey, Metso, Morbark, Nordberg, Pegson, Peterson, Powerscreen, Royer, S2C, Sandvik, Screen USA, Striker, Telsmith, Terex, Trackstack, Triman, Trio.

To visit our website just click on the text and you will be magically transported by the power of the web to our site www.screen2crush.com.



Features and Benefits Book

Welcome to Extec Screens & Crushers - a member of the Sandvik group



EXTEC C-12⁺



The Extec C12+ offers a unique mix; formidable crushing technology and true mobility in one machine. Expanding from the highly successful C-12, improvements include a new compact chassis, along with the powerful CAT C-9 engine. Aiding in the processing of concrete, an over band magnet ensures the removal of any reinforcing bar during crushing, while the large 1200 x 750 mm feed opening allows the jaws to give very high production with minimal bottle necking of crushing.

The newly designated **C12+** is the result of Extec's unrivalled R&D programme, and encompasses features designed to further enhance the profitability of the user at its core.

Applications include:

- Granite, slate, bricks, Limestone, Recycling and demolition
- Rock crushing in quarries
- Concrete crushing in recycling yards, demolition sites or construction sites
- Asphalt crushing

The following features document includes:

- Key features of Extec C-12+
- C-12+ Technical Specification
- Product features
- Application photographs
- Transport & Working drawings



Key features of the Extec C12⁺

- Unique high crushing speed
- Reverse crushing action to relieve blockages
- Excellent Product size reduction
- Extended main conveyor as standard
- CAT C-9 diesel engine
- Vogel central Lubrication



C12+ Technical Specification

| | | |
|------------------------|---------------------------|--------------|
| Feed opening | 1200 x 750mm | (48" x 28") |
| Crusher speed | 300rpm | |
| Drive | Hydraulic | |
| Hopper width | 2751mm | (9') |
| Feeder width | 1100mm | (3' 6") |
| Feeder length | 4000mm | (13' 1") |
| Transport length | 14646mm | (48') |
| Transport length bogie | 15383mm | (49' 5") |
| Transport width | 2756mm | (9') |
| Transport height | 3429mm | (11' 2") |
| Transport height Bogie | 3838mm | (12' 6") |
| Working Length | 15750mm | (51' 8") |
| Working Width | 4108mm | (13' 5") |
| Working height | 4063mm | (13' 3") |
| Engine | Cat C-9 – 261 kw / 350 hp | |
| Weight | 46.38 Tonnes | (105,280lbs) |



Jaws - Powerful Jaws able to crush even the toughest rock products



Large gap between discharge point of crusher and conveyor eliminates blockages and facilitates cleaning.



Large vibrating feeder with grizzly – flow of materials can be co-ordinated between the grizzly and jaw



Maintenance platforms are provided on the right hand side of the crusher



Extended main conveyor- no need for ramps for onward machine feeding and stock piles

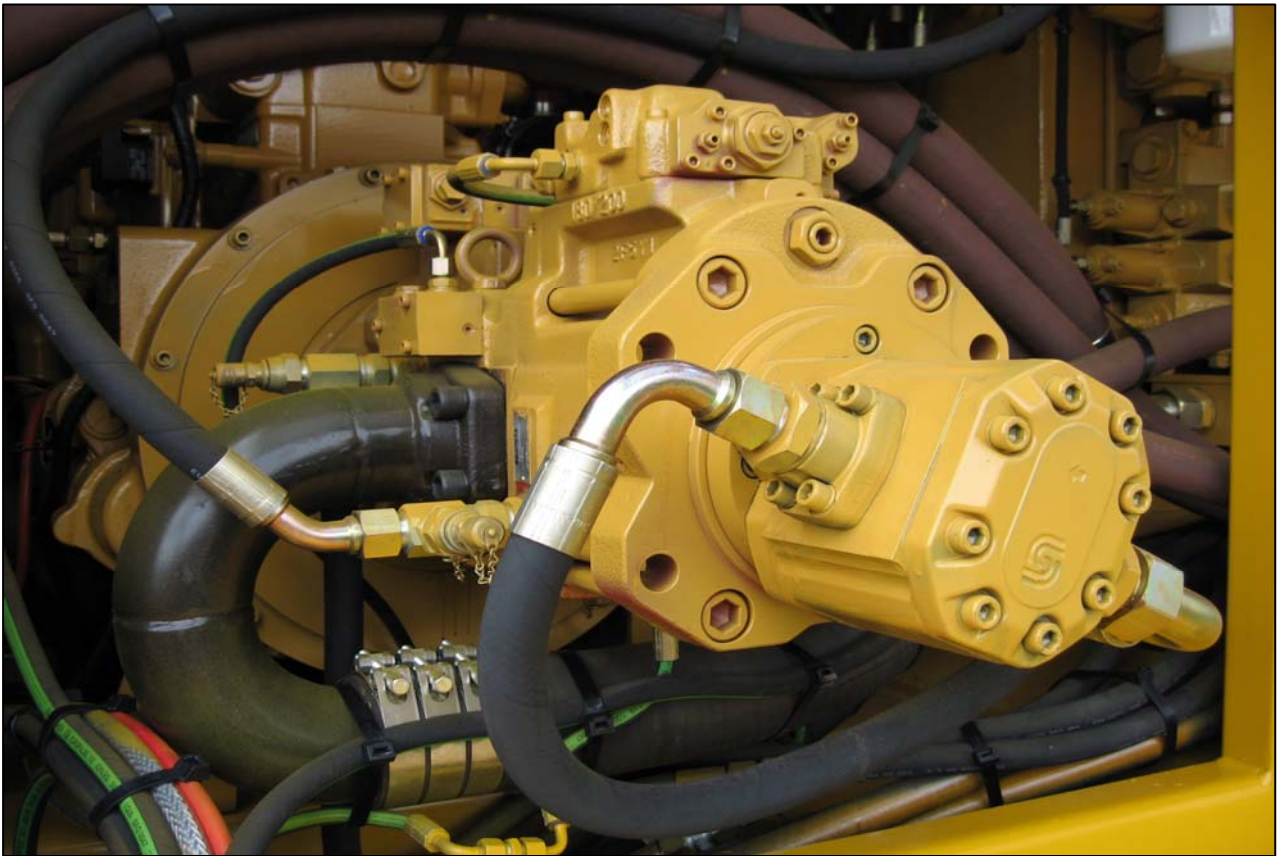


Side conveyor- collects fines passing through grizzly bars.

Optional extended side conveyor available

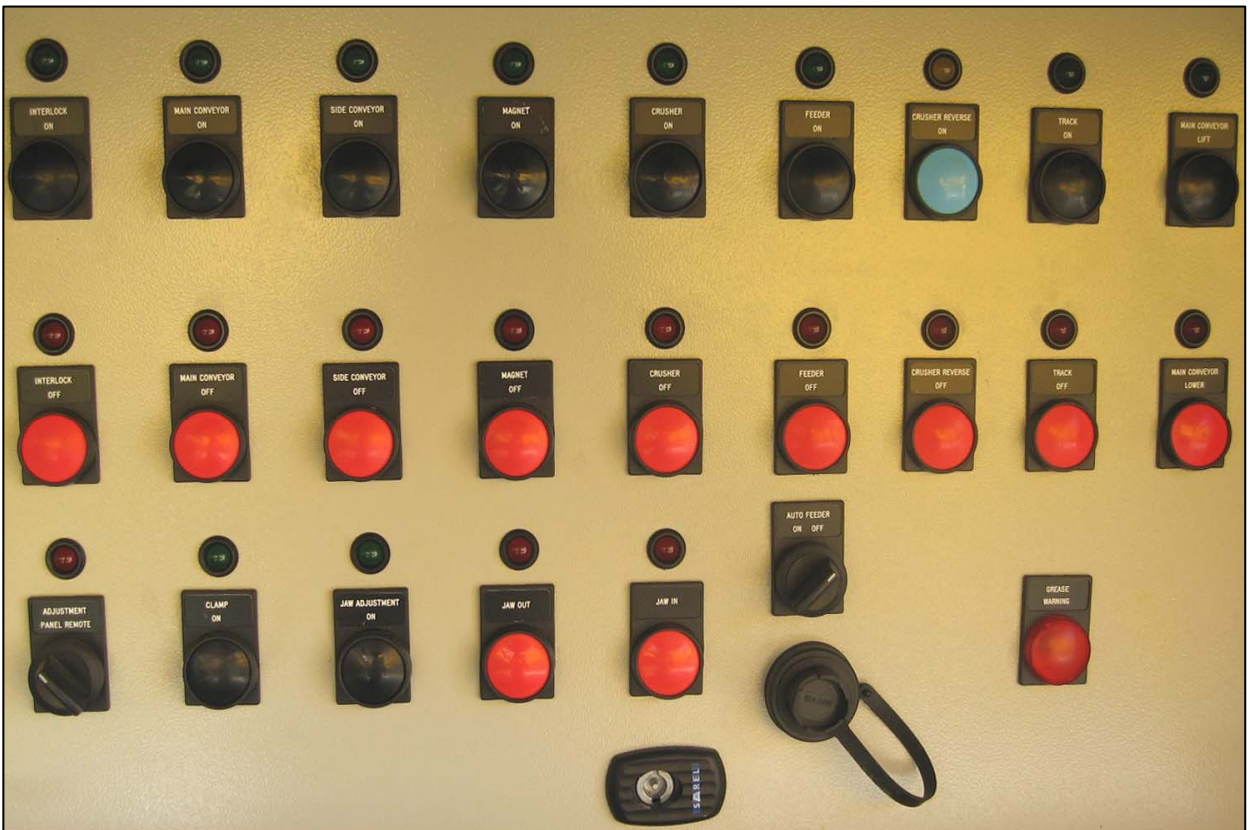


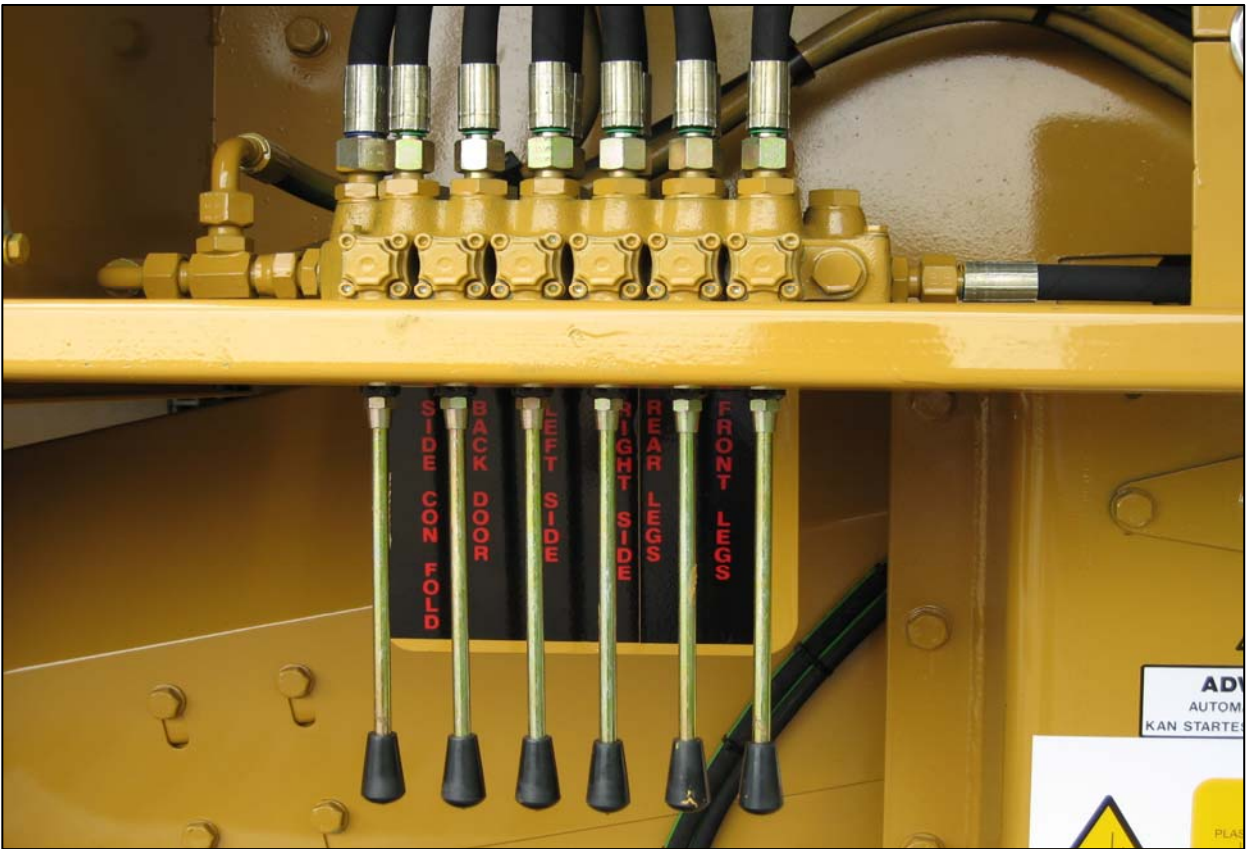
Caterpillar C-9 Powerpack- easy access for maintenance and service





Control box- easy adjustments at the touch of a button





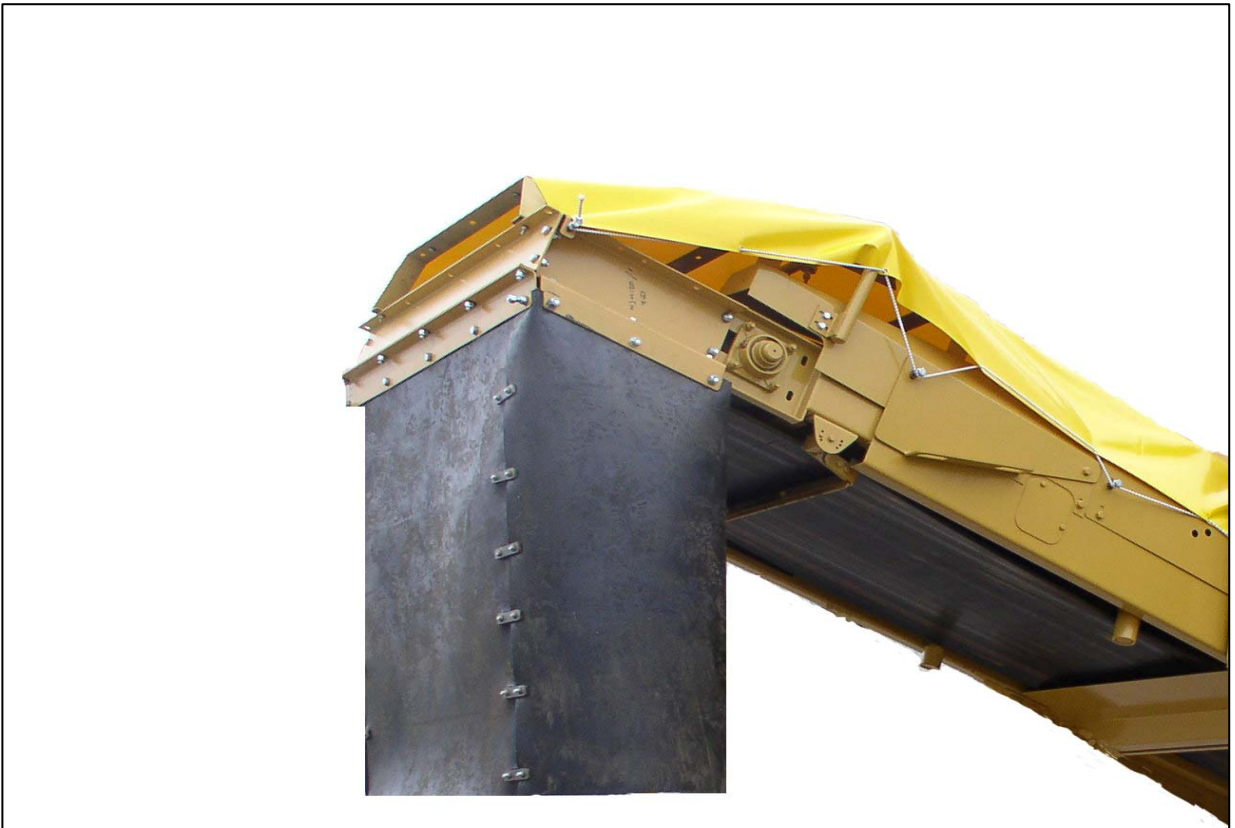
User-friendly conveyor and hopper controls



Extended main conveyor control



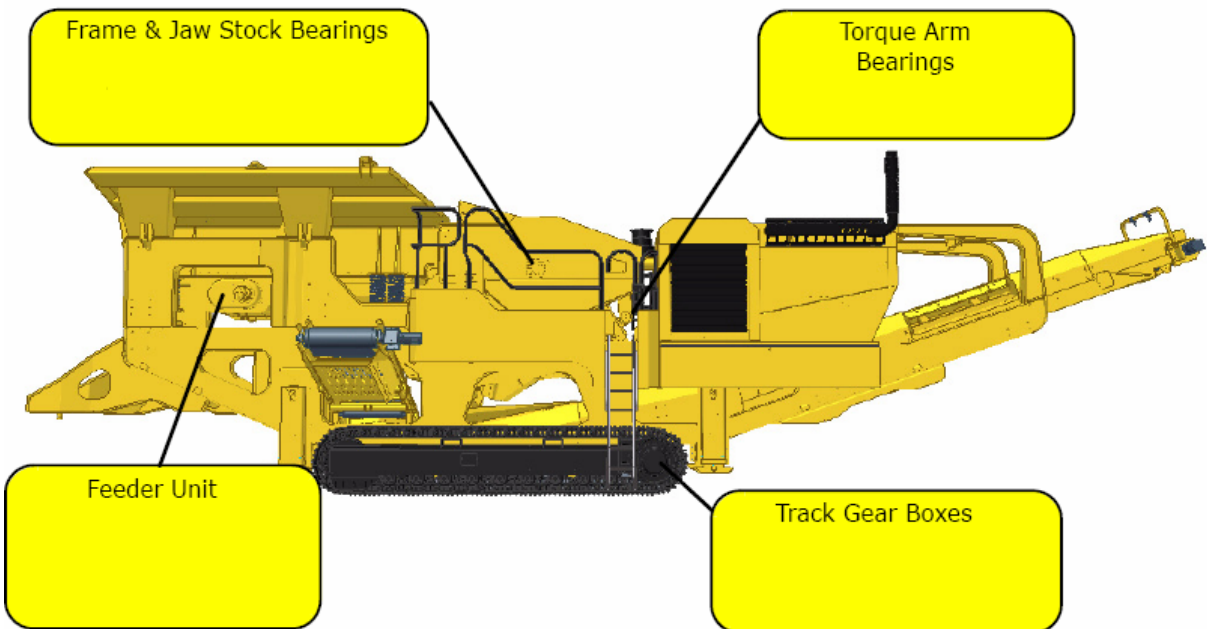
Magnetic separator



Optional dust covers



SKF automatic lubrication – reduced wear and downtime



3: Grease Points



Optional peck arm





Optional bogie system – eliminates the need for low loader



Machine raises on its hydraulic legs to facilitate cleaning and servicing of tracks



New Heavy Steel, Web and Flange Frame Construction





Construction & demolition application



Huge Stockpiling capabilities



Features and Benefits Book

Welcome to Extec Screens & Crushers - a member of the Sandvik group





Granite application





Limestone quarry application





Demolition recycling application



Waste recycling application



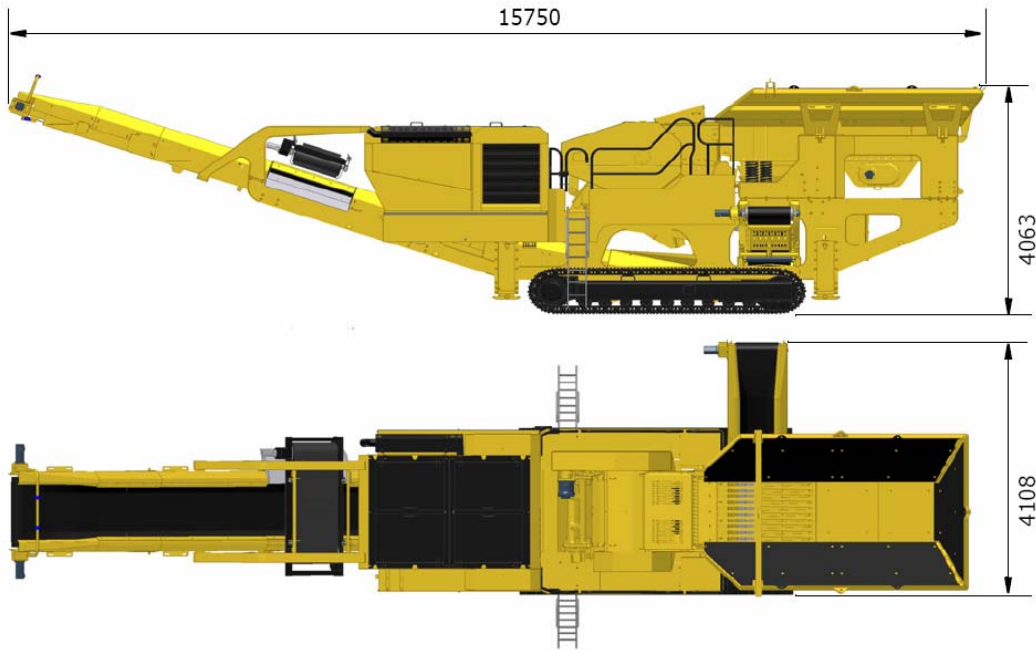
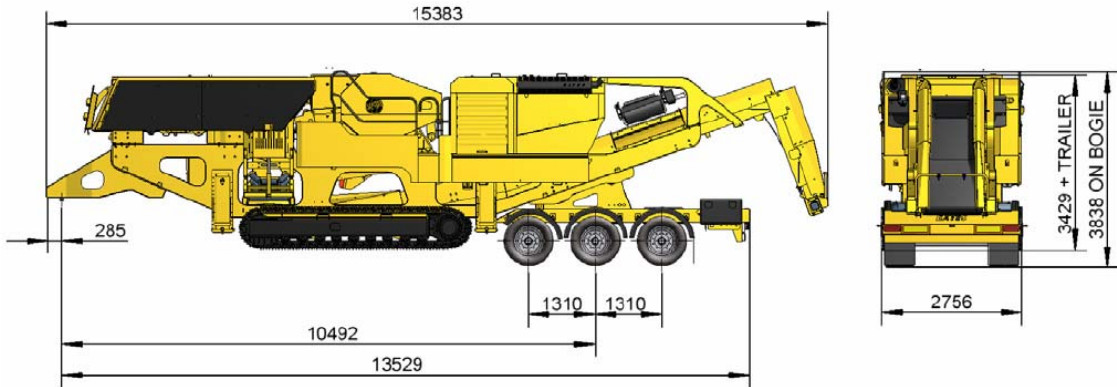
Quarrying applications in the UK





C-12+ Transport and Working Drawings

C12+ Transport (bogie)



C12+ Working



Features and Benefits Book

Welcome to Extec Screens & Crushers - a member of the Sandvik group

